

UNIVERSAL LIGHTS TECHNICAL SPECIFICATION SHEET



LED LYTE MINI LED DOWNLIGHT

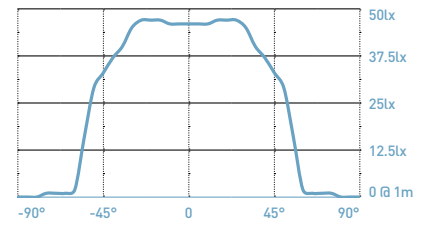


Features & Benefits

- Plug & Play connector for quick installation
- Small & discreet
- Ideal for decorative lighting

PHOTOMETRICS @ 25°C

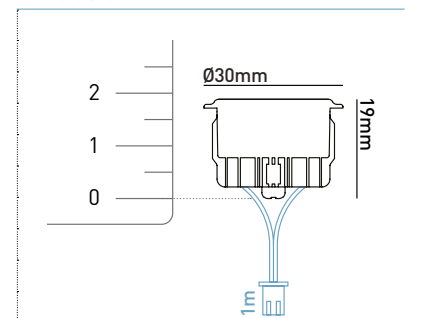
Colour	Product code	Beam angle	Wattage	Life of LED	CRI	lm	lm/W	lx (1m)
NW / 4000K	LED LYTE NW	110°	1W	L70, B10 70,000hrs	>70Ra	82	82	46
WW / 3000K	LED LYTE WW				>80Ra	60	60	30
AM	LED LYTE AMBER				N/A			
BL	LED LYTE BLUE				N/A			
RE	LED LYTE RED				N/A			



GENERAL

Bathroom zone	N/A
Building regulations	N/A
Construction material	Plastic
Cut-out (mm)	26
Face temperature when lit (°C)	39
IP rating	N/A
Maximum ambient temperature (ta = °C)	35
Rotation angle (°)	N/A
SELV (separated extra low voltage) driver	N/A (refer to LED DRIVERS section below)
Tilt angle (°)	N/A
Weight (g)	20

Dimensions



WIRING

Cable/flying lead (m)	1 (0.205mm² red & black PTFE)
Type of wiring required	Series (Plug & Play)

NB: Removal of plugs will render this product non-returnable

LED DRIVERS

Product code	mA	SELV	Dimming	Bathroom zone	Min	Max
PLU/PP/350 1-9 (Plug & Play)	350	Yes	No	N/A	1	9
PLR/350 1-5			No	N/A	1	5
PLD UNI-DRIVE 350MA			Yes (1-10V)	N/A	1	10

Bathroom zone applicable to fitting only

ACCESSORIES

Product code	Description
LED LYTE 1M EXT	1m 'Plug & Play' extension lead
LED LYTE 6 WAY EXT	6 way 1m 'Plug & Play' extension lead
PDC/GRID DIMMER	Grid dimmer kit for multiple fitting types

WARRANTY

7 year extended warranty available

Energy efficiency rating

