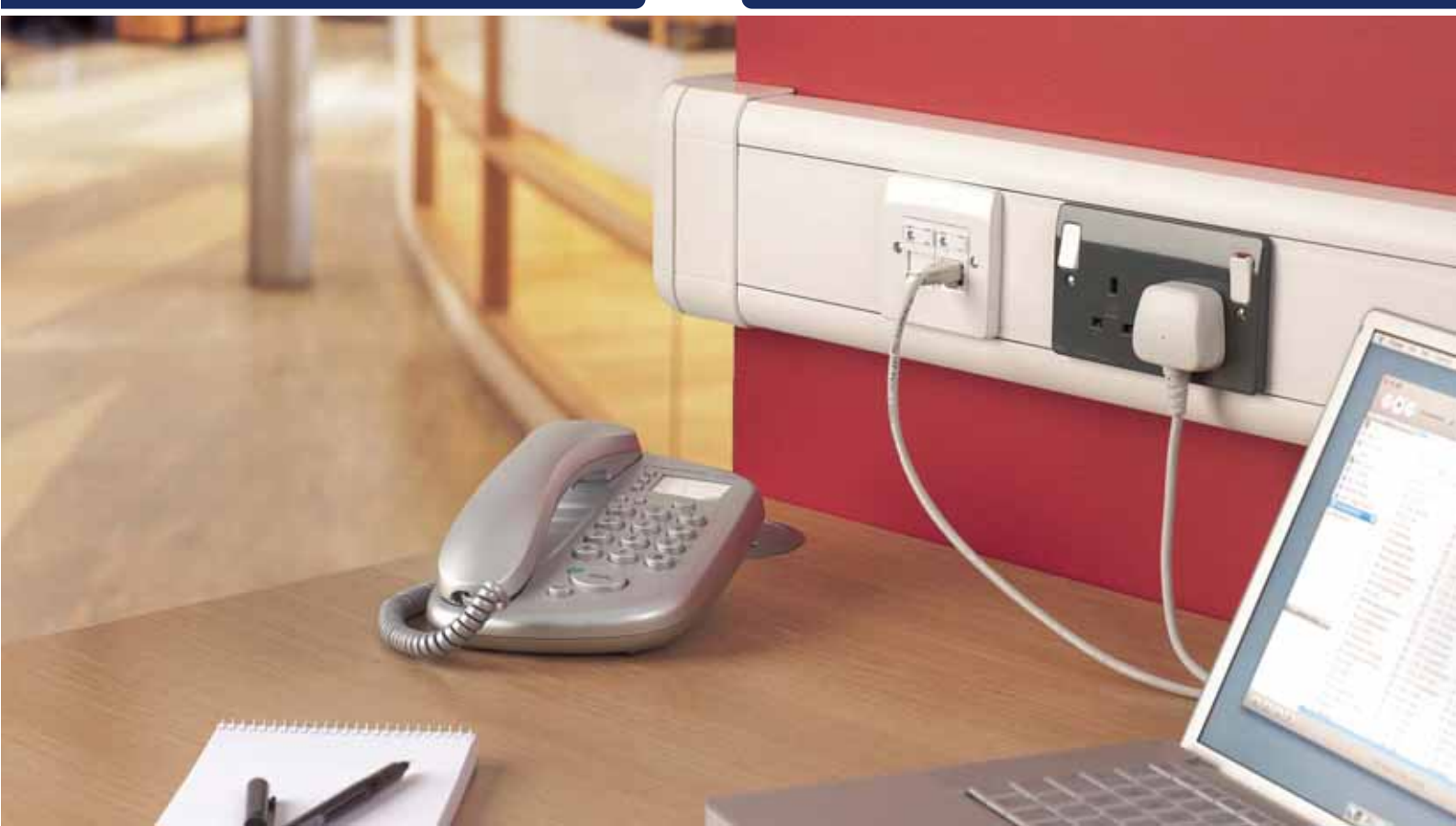


technical hotline +44 (0)1268 563720

perimeter and distribution | cable management



range introduction

feature benefits

Prestige 3D is the new three compartment dado trunking from MK that satisfies the growing data demands of cable management installations. As well as providing greater trunking depth to cater for Cat 6 structured data cabling, Prestige 3D is rich in new features, offering installation benefits and improved cable management. Prestige 3D is Cat 6 compliant, with the new Data Sweep, Flat Angles and Tees, all allowing continuous cable capacity.

- **Greater trunking depth to cater for Cat 6 structured cabling systems, supports 45mm deep back boxes**
- **Cat 6 compliant Data Sweep, with no loss of capacity and without the need for bulky or bulbous external corners**
- **Cat 6 compatible flexible Internal and External Corners allows for poor building tolerances**
- **Divider Knockouts, making wiring easier and faster with no drilling or cutting**
- **Two stage Hinge Lids enables cables to be supported by the trunking cover during installation, and makes retro-installation of additional cables more simple**
- **Cat 6 compatible moulded Flat Angles and Tees**

### DIVIDER KNOCKOUTS

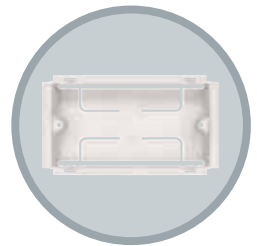
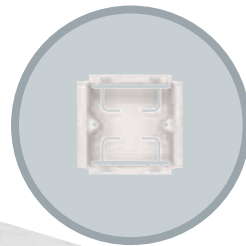
Wiring is also made easy with 50 x 21mm knockouts at 100mm intervals along compartment dividers, providing instant access to mounting boxes, with no drilling or cutting.

### BACK BOXES

1 gang, 2 gang and 3 gang 'open box' 45mm deep back boxes use the full trunking depth allowing ease of connection to power and data devices. The open top/bottom allows unhindered tool free cable entry, through the trunking compartment divider knockout. The back box can slide to align with appropriate knockout.

### END CAPS

Neatly finished runs of trunking. (Moulding provides internal location for extra security from optional screw fixing).



### PRE-PUNCHED BASES

Wall fixing is simplified by the inclusion of pre-punched oval holes at 100mm intervals, ensures no drilling is required.



### INTERNAL CORNER

Designed to accommodate irregularities in the squareness of the corner with a +/- 5 degrees flexibility range. The centre split gives maximum adjustment. Covers are radiused and compatible with Cat 6 data cabling requirements.

### SCREW FIXING KIT

Where higher security is required, all fitting covers can be secured using the Screw Fixing Kit.

The Screw Fixing Kit is self-locating on the styling line of the system and has a cover to hide the screw head.



technical hotline +44 (0)1268 563720

perimeter and distribution | cable management

### FLAT TEES AND ANGLES

The ingenuity of the tee design allows a variety of cable drop permutations. The tee's bridge can be fitted in two positions increasing the versatility of cable runs whilst maintaining the correct separation and Cat 6 compliance. Screw fixing hole locations have a protective shroud to prevent the chafing of cables. Both the Flat Angle and Tee compartment divider walls are curved (Cat 6 compliant) to allow data cables to lay in with no loss of capacity. The covers are one piece and clip securely into place, and the base is also a single moulded item, giving more strength than fabrication. Joint covers are not required where the tee/angle meets the trunking as the moulded covers now overlap the junction.

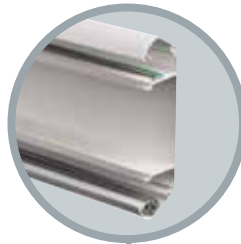


### ELECTROMAGNETIC INTERFERENCE

Additional data cable/signal protection is provided by fitting screening divider VP30.

### STYLING LINES

All fittings are moulded with styling lines for aesthetic continuity.



### TRUNKING HINGE LIDS

A two stage location gives a hinge effect, enabling cables to be supported by the trunking cover during the installation. Cover design avoids dust traps and makes cleaning easier, and continues the aesthetics of the trunking.



### EXTERNAL CORNER

External Corners accommodate +/- 5 degree irregularities in the squareness of a corner. Corners come ready assembled to click into place, and offset side splits hide the effect of the split line for aesthetics.



### DATA SWEEP

The unique Data Sweep provides Cat 6 data cabling compliance, with no loss of capacity and without the need for bulky, protruding corner covers.

### PROFILE

170 x 57mm profile to suit most installation needs. Available in white, charcoal and choice of RAL colour.



Note: The above image is an artist's impression and may change.

## PROFILE LENGTHS

Main  
CarrierStraight  
CoverCurved  
Cover

## FITTINGS

Flexible  
Internal  
CornerFlexible  
External  
Corner

End Cap

CONSISTS OF  
COVER AND  
DATA SWEEPSUPPLIED AS  
LEFT AND RIGHT-  
HAND PAIR

**VP180 WHI** **2**  
**VP180 CHA** **2**  
3 METRE LENGTHS

**VP100 WHI** **10**  
**VP100 CHA** **10**  
3 METRE LENGTHS

**VP110 WHI** **10**  
**VP110 CHA** **10**  
3 METRE LENGTHS

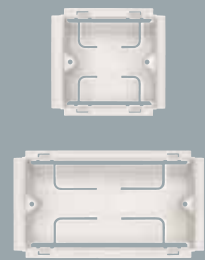
**VP181 WHI** **2**  
**VP181 CHA** **2**

**VP182 WHI** **2**  
**VP182 CHA** **2**

**VP183 WHI** **2**  
**VP183 CHA** **2**

## ACCESSORIES

Socket Spacer

Mounting  
FramesScreening  
DividerCable  
RetainerScrew  
Fixing Kit

**VP129 WHI** **10**  
**VP129 CHA** **10**  
SOCKET SPACER

**VP121 WHI** **25**  
**VP121 CHA** **25**  
1 GANG MOUNTING FRAME  
**VP122 WHI** **10**  
**VP122 CHA** **10**  
2 GANG MOUNTING FRAME  
**VP123 WHI** **10**  
**VP123 CHA** **10**  
3 GANG MOUNTING FRAME

**VP30** **10**  
1.5M SCREENING DIVIDER  
**VX31** **10**  
200MM SCREEN  
CONNECTING CABLE  
**VX32** **10**  
500MM SCREEN  
CONNECTING CABLE

**VP105 WHI** **10**  
CABLE RETAINER

**VTS1000 WHI** **10**  
SCREW FIXING KIT

technical hotline +44 (0)1268 563720

perimeter and distribution | cable management

## Joint Cover

## Flat Angle

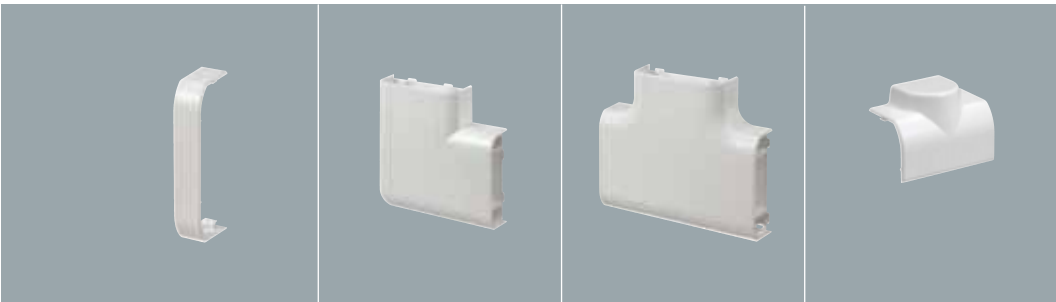
## Flat Tee

## Adaptor

CONSISTS OF  
COVER AND  
CARRIER

CONSISTS OF  
COVER AND  
CARRIER

SUITABLE FOR 20 AND  
25MM CONDUIT AND YT2  
AND YT4 MINI-TRUNKING



<b>VP184 WHI</b>	<b>1</b>	<b>VP185 WHI</b>	<b>1</b>	<b>VP187 WHI</b>	<b>1</b>	<b>VP188 WHI</b>	<b>10</b>
<b>VP184 CHA</b>	<b>1</b>	<b>VP185 CHA</b>	<b>1</b>	<b>VP187 CHA</b>	<b>1</b>	<b>VP188 CHA</b>	<b>10</b>
<b>VP184 COL</b>	<b>1</b>	<b>VP185 COL</b>	<b>1</b>	<b>VP187 COL</b>	<b>1</b>	<b>VP188 COL</b>	<b>10</b>

Note: The above images are based on Prestige Compact. Prestige 3D has greater trunking depths (57mm) and height (170mm)

## Data Trunking System

### Standards and approvals

The Prestige 3D System is manufactured in accordance with the requirements of BS EN 50085-1:1999 and BS 4662:1970. Copies of test certificates are available upon request. The system complies with all the relevant requirements of the latest edition of the IEE Wiring Regulations (BS 7671). MK has been awarded ISO 9002 accreditation

### Features

- Greater trunking depth, increased data and power cable capacity, accepts 45mm deep back boxes
- Cat 6 compliant Data Sweep, with no loss of capacity and without the need for bulbous, protruding corner covers
- Cat 6 compatible moulded flexible Internal and External Corners, moulded Flat Angles and Tees
- Divider Knockouts, making wiring easier and faster with no drilling or cutting
- Two stage Hinge Lids enables cables to be supported by the trunking cover during installation, and makes retro-installation of additional cables more simple



### Description

Prestige 3D is the new three compartment dado trunking from MK that satisfies the growing data demands of cable management installations. As well as providing greater depth for larger cable capacity, Prestige 3D is rich in new features, offering installation benefits and improved cable management. Prestige 3D is Cat 6 compliant, with the new Data Sweep, Flat Angles and Tees, all allowing continuous cable capacity.

### Technical specification

#### CE marking

All relevant MK products in this brochure are CE marked, confirmation that they meet the EMC and LV directives.

#### Manufacture

All trunking components are manufactured from PVCu.

#### Appearance

Prestige 3D is manufactured in white. The trunking surface can be painted, if required, after installation.

#### Performance

Impact	Medium
Minimum Storage Temperature	25°C
Minimum Installation Temperature	-5°C
Maximum Application Temperature	+60°C

#### Fire performance

The PVCu materials used in the manufacture of MK products are non-flame propagating in accordance with BS EN 50085-1:1999 and BS EN

61386-1:2004. Extrusion material has achieved classification 1Y in accordance with BS 476-7:1997. Moulding material has achieved 650°C glow wire rating in accordance with BS EN 60695-2-11:2001.

#### Thermal properties

Prestige 3D trunking is designed to accommodate local thermal expansion. Fitting instructions explain the procedure required to deal with the differential movement at the interface with the building fabric.

Linear Expansion: 4mm over every 3000mm with a temperature rise of 25°C

#### Chemical resistance

The PVCu materials used are non-corrosive and not affected by seawater. It has excellent resistance to mineral acids, alkalis and detergents, good resistance to alcohols, but is liable to attack from solvents such as ketones, aromatics and hydrocarbons.

#### Electrical

Prestige 3D trunking is non-conductive.

Dielectric strength	40 kV/mm in DBP 17 kV/mm in tx oil
Resistivity	1014 cm

#### Biological

Prestige 3D trunking is resistant to vermin and termites.

#### Workability

Prestige 3D trunking is lightweight and can readily be cut and drilled to suit installation needs with hand tools.

#### Durability

Prestige 3D trunking is stable and will maintain its performance characteristics in accordance with the terms and conditions described above.

#### Maintenance

Clip-on covers with optional screw fix and interchangeable accessories provide continuous accessibility for rewiring, extensions and modifications to an installation. Covers and accessories can be cleaned with water and household detergent. The surface can be decorated with commercial paints if required.

### Dimensions (mm)

#### Profiles

Compartment CSA mm<sup>2</sup>

1 = 1763

2 = 3828

#### Assembly

Profile 1 = 1.20 Kg/m

Profile 2 = 1.35 Kg/m

#### Wall Thickness

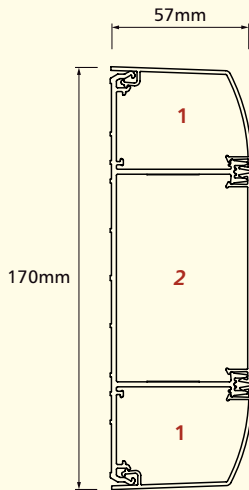
VCT100 = 1.7mm

VCT110 = 1.7mm

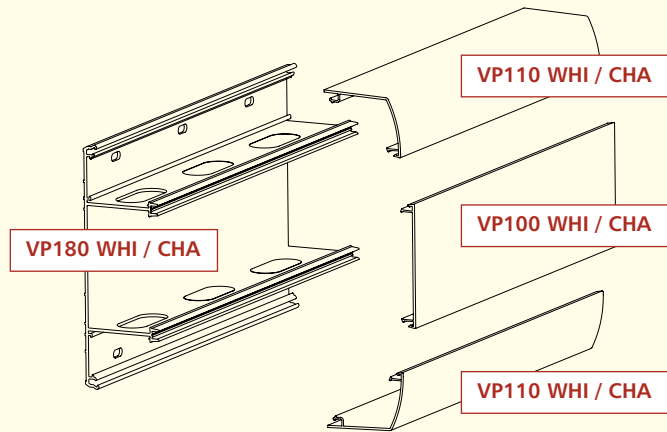
VCT120 = 1.7mm

VCT140 = 2.0mm

VCT160 = 2.0mm



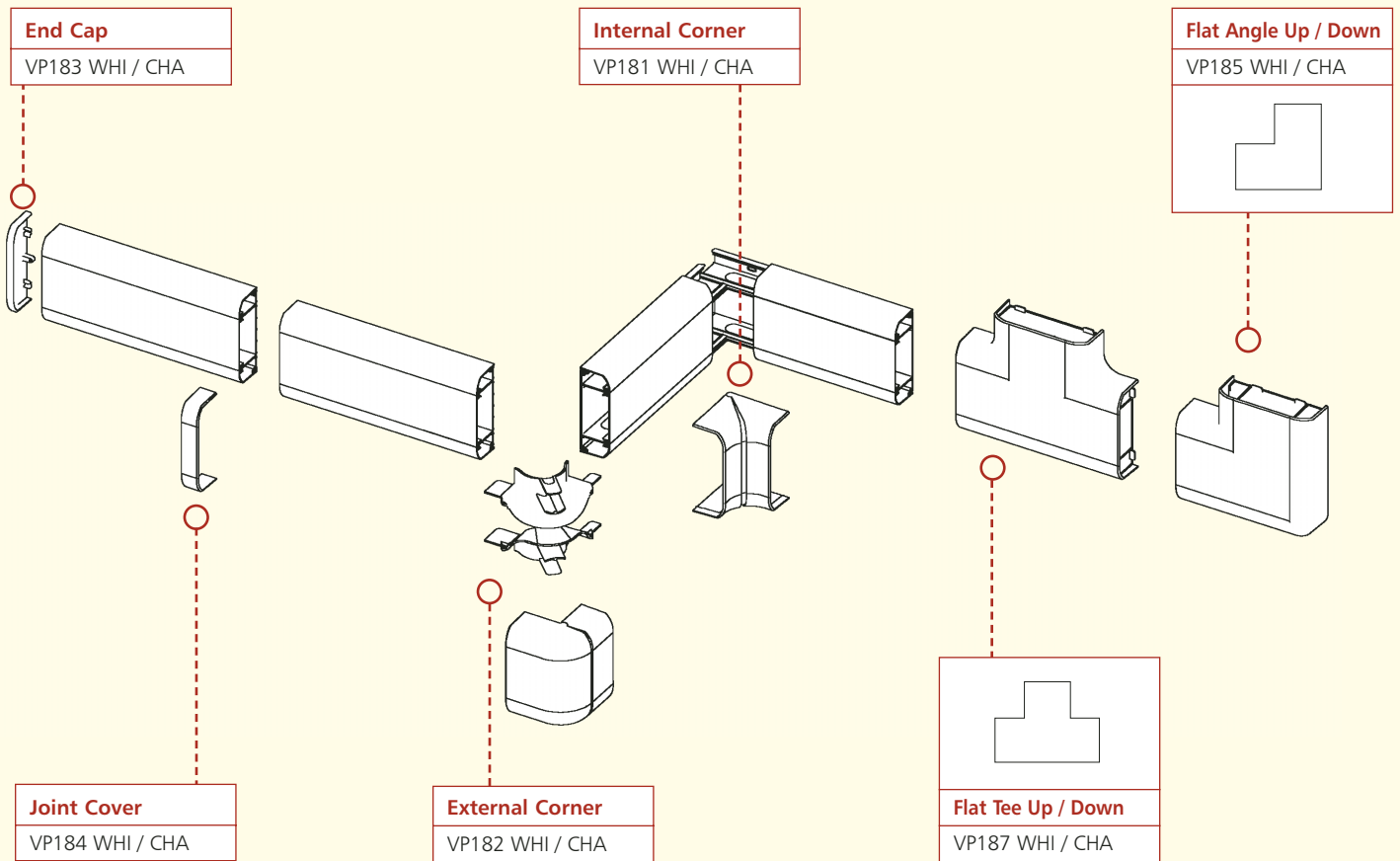
### Component selection guide



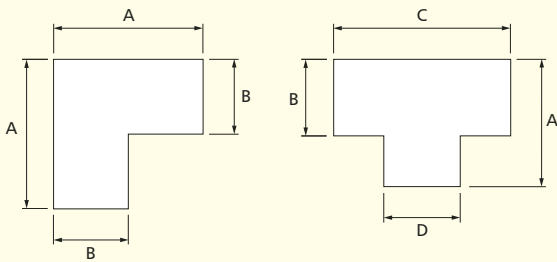
CABLE CAPACITY								
Type of conductor	Size	Cable factor	Compartment 1		Compartment 2		Compartment 2 with 45mm deep box	
			Full Term CSA (mm <sup>2</sup> )					
			1763		3828		610	
			Term at 45% fill (mm <sup>2</sup> )					
793		1722		274				
Power cables			Number of cables at 45% fill					
PVC stranded	1.5mm <sup>2</sup>	8.6	0	200	31			
	2.5mm <sup>2</sup>	12.6	0	136	21			
	4mm <sup>2</sup>	16.6	0	103	16			
	6mm <sup>2</sup>	21.2	0	81	12			
Data cables			Number of cables at 45% fill (a) and full capacity (b)					
			a	b	a	b	a	b
Cat 5E UTP	5.5mm dia.	30.2	26	58	0	0		
Cat 5E STP	6.0mm dia.	36.0	22	48	0	0		
Cat 6E UTP	6.5mm dia.	42.2	18	41	0	0		
Cat 6E STP	7.0mm dia.	49.0	16	35	0	0		

## Data Trunking System

### Component selection guide



### Flat angles and tees



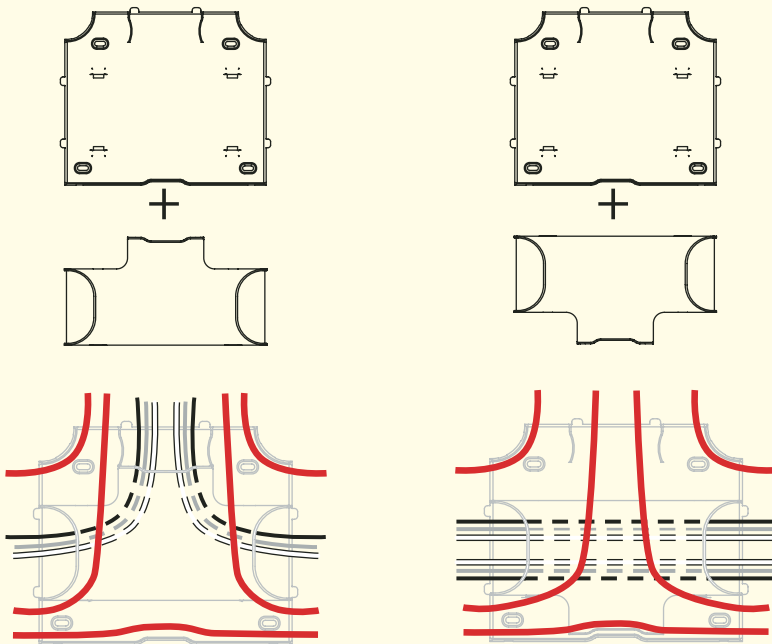
FLAT ANGLES AND TEES DIMENSIONS (mm)					
LIST NO	DESCRIPTION	A	B	C	D
VP185 WHI/CHA	Flat Angle	218mm	170mm		
VP187 WHI/CHA	Flat Tee	202mm	170mm	235mm	170mm



## Data Trunking System

### Flat tee cable option

Power   
Data 

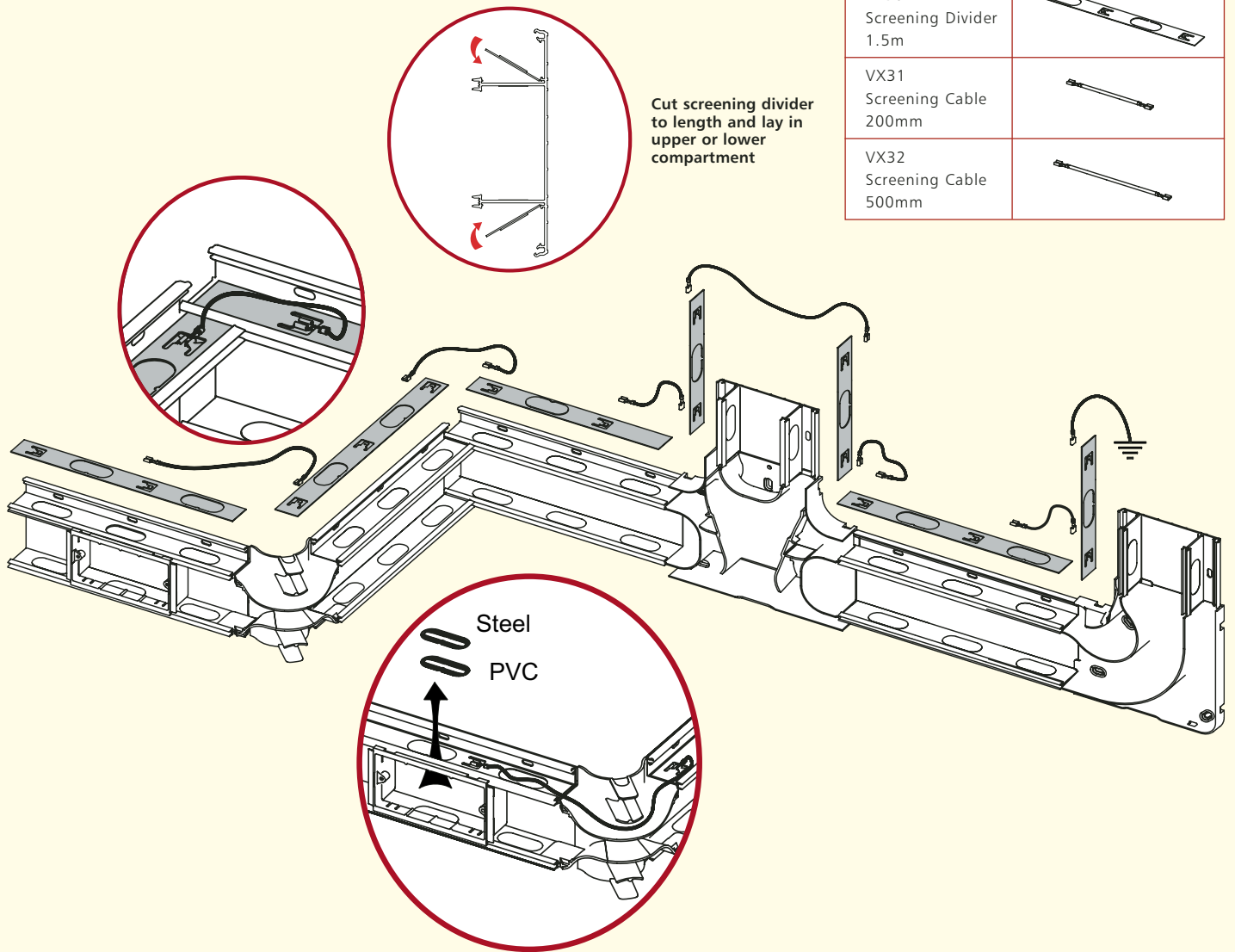


### Flat Tee Bridge

The Flat Tee's bridge can be fitted in two positions increasing the versatility of cable runs whilst maintaining the correct separation and Cat 6 compatibility.

## Data Trunking System

### Screening assembly (optional)



PRODUCT IDENTIFICATION	
VP30 Screening Divider 1.5m	
VX31 Screening Cable 200mm	
VX32 Screening Cable 500mm	